

HARMONICS

HARMONICS

HARMONICS



JANUARY - FEBRUARY

1967

Founded 1939

# YL HARMONICS

YL HARMONICS is published by and for the members of the Young Ladies' Radio League. YLRL is a non-profit, fraternal organization comprised of women radio amateur operators. It is incorporated as such under the laws of the State of California.

Dues are \$3.00 per year, pro-rated quarterly from March 1st for new members. Anyone joining in March, April or May pays \$3.00; anyone joining in June, July or August pays \$2.25; anyone joining in September, October or November pays \$1.50; and anyone joining in December, January or February pays \$1.00. (Except for adopted members, whose dues will not be pro-rated for portions of years.) Dues for adopted members are \$3.50. Dues for a family are \$1.25. All others pay \$3.00. Subscriptions to YL HARMONICS may be had by non-members for \$3.00.

## 1967 OFFICERS

PRESIDENT.....EDIE MCCracken, K1EK0  
P.O. BOX 285, WESTWOOD, MASSACHUSETTS 02090  
VICE PRESIDENT.....MARTE WESSEL, K0EPE  
P.O. BOX 756, LIBERAL, KANSAS 67901  
SECRETARY.....MAXINE HANBERRY, W6A0E  
1340 MOUNTAIN VIEW AVE., SO. PASADENA, CALIF. 91030  
RECEIVING TREASURER.....LENDRE "TONI" CHAPMAN, K8PX X  
WEST 2ND ST., PLAIN CITY, OHIO 43064  
DISBURSING TREASURER.....BARBARA HOUSTON, K5Y1B  
P.O. BOX 88, RICHARDSON, TEXAS 75081

## 1967 DISTRICT CHAIRMEN

1ST DISTRICT.....RUTH BARBER, K111 F  
19 BIDWELL PARKWAY, BLOOMFIELD, CONN. 06002  
2ND DISTRICT.....JANICE R. FONTANA, W82JCE  
R.D. 1, BOX 136, VAN ETEN, NEW YORK 14889  
3RD DISTRICT.....ELINOR W. WENDLAND, K37NL  
R.D. 1, LAKE ARIEL, PENNSYLVANIA 18436  
4TH DISTRICT.....DOROTHEA SEEVER, W4QBY  
254 OCEANIC AVE., FT. LAUDERDALE, FLORIDA 33308  
5TH DISTRICT.....DORIS ANDERSON, K5BNQ  
509 EAST ELGIN, BROKEN ARROW, OKLA. 74012  
6TH DISTRICT.....MADGE MASON, W6LWE  
5616 NO. NOEL DRIVE, TEMPLE CITY, CALIF. 91780  
7TH DISTRICT.....KEN JACKMAN, W7NOB  
RT. 3, MALTA, OHIO 43758  
8TH DISTRICT.....EDITH BEST, W8KMT  
RT. 3, MALTA, OHIO 43758  
9TH DISTRICT.....MILDRED BOVEE, K9ZLB  
R.R. 1, BOX 251A, LAGRANDE, OREGON 97850  
10TH DISTRICT.....CLEO M. BRACKET, K0ZFO  
1820 E. THIRD, FREMONT, NEBRASKA 68025  
VE DISTRICT.....JEANINE BURGESS, VE3BI  
BOX 191, ALLISTON, ONTARIO CANADA  
NO KH6 OR KL7 DISTRICT CHAIRMAN

## COMMITTEE CHAIRMEN

EDITOR.....PEGGY HORNOS, K1G5F  
56 PENNELL STREET, WESTBROOK, MAINE 04092  
PUBLICITY.....IRMA WEBER,  
762 JUANITA AVE., SANTA BARBARA, CALIF. 93105  
SUPPLIES.....VIRGINIA BUSH, K0GZO  
HARPER, KANSAS 67058  
LIBRARIAN.....META BRAZZEL,  
4975 ADAIR ST., SAN DIEGO, CALIF. 92107  
CONTINUOUS MEMBERSHIP.....RUTH SIEGELMAN, W2OWL  
2336 HOLLAND AVE., BRONX, NEW YORK 10467  
BUDGET AND FINANCE CHAIRMAN.....KAY BARCLAY, K00TV  
2334 BROADWAY, BOULDER, COLORADO 80302  
B. AND F. MEMBER.....BLANCHE RANDES, K8OZT  
62 LINDA AVE., FRAMINGHAM, MASS.

62 LINDA AVE., FRAMINGHAM, MASS 01706

B. AND F. MEMBER.....MARTE WESSEL, K0EPE  
P.O. BOX 756, LIBERAL, KANSAS 67901  
B. AND F. MEMBER.....LYN OHLSON, W5RYX  
8928 HACKNEY LANE, DALLAS, TEXAS 75238  
ADVERTISING CHAIRMAN.....HELEN HARRIS, W1HOY/KP4  
BOX 1738, ARECIBO, PUERTO RICO 00613

## MEMBERSHIP COMMITTEES

EASTERN.....MARGE CAMPBELL, K4RNS  
1700 NOVA ROAD, ORMAND BEACH, FLORIDA 32074  
WESTERN.....BETH TAYLOR, W7NJS  
1467 S.E. FAIRGUS AVE., MILWAUKIE, OREGON 97222  
INTERNATIONAL.....GINNY POWELL, K1LCI  
P.O. BOX 174, DAMARISCOTTA, MAINE 04543

## CERTIFICATE CUSTODIAN

WAS/YL.....G1 ACE RYDEN, W9OME  
2054 NORTH LINCOLN AVE., CHICAGO, ILLINOIS 60614  
WAC/YL.....MIRIAM BLACKBURN, W3UUG  
1467 S.E. FAIRGUS AVE., MILWAUKIE, PENNSYLVANIA 15127  
DX/YL.....MAXINE WILLIS, W6UHA  
6502 WYNCOOP ST. LOS ANGELES, CALIFORNIA 90045  
YLCC.....ONIE WOODWARD, W1ZEN  
14 EMMETT ST., MARLBORO, MASSACHUSETTS 01752

PLEASE!!!!!! NOTIFY THE RECEIVING TREASURER OF ANY CHANGE IN ADDRESS.

## 1967 NOMINATING COMMITTEE

CHAIRMAN.....JAN FONTANA, W82JCE  
R.D. 1, BOX 136, VAN ETEN, NEW YORK 14889  
MEMBER.....EDIE BEST, W8KMT  
RT. 3, MALTA, OHIO 43758  
MEMBER.....JAN BURGESS, VE3BI  
BOX 191, ALLISTON, ONTARIO, CANADA

## 1967 DUES REMINDER

**YLRL dues are due and payable by March 1st, 1967. Please pay promptly so your name will appear in the direct-ory issue which will be prepared in June!**



## PRESIDENT'S MESSAGE

Hello to you all -  
The tree is down, decorations are now put away, and this cotton pickin' typewriter is once again cluttering up my desk after being put completely out of both sight and mind for the Holidays! Now to get back into the routine of normalcy!

Firstly may I wish you all a Happy and Prosperous New Year.....and secondly may I sincerely thank those of you who worked so hard for YLRL during 1966. Many hours of "not really spare time" were devoted by many of you, both elected or appointed. In a few cases a lot of time was simply willingly volunteered. In all cases, it was appreciated, and we thank you.

We owe a big thank you to Kayla for her tremendous undertaking with YL HARMONICS. We undoubtedly owe her an extra large bottle of aspirin for all the headaches incurred with the job, too! It was a great enough job to just undertake and get going, but to run into unsatisfactory publishing and mailing conditions, and to have to resolve these, made for one grand and glorious headache.

We are still interested in getting ads to help sustain this new YLH. This new magazine is not only more readable and more compact, but it costs money! Ads will not only help defray present expenses, but will enable us to expand. One day we hope to have a nice big YLH-one that will give many hours of interesting reading, with good composition and more good pictures, with good feature articles-all the things we'd like, but have to just wish for because of the expense. Ads will help tremendously. This is not intended as criticism of the present, but rather as a dream of the future!

Are you interested in being a future committee chairman or member? The Editor? A Certificate Custodian? If any of you has an interest in being appointed to any of these, should a vacancy occur in the future, do let me know. It would be a great help for me,

and for future Presidents, to have a list of "possibilities" in the notebook for consideration. This does not mean that you'd be "volunteered" but it does mean you'd be considered for something you'd like, rather than overlooked because the officers didn't know you were interested. The Chairman of the Nominating Committee might well have the names of any future aspirants to an elected office in her notebook. It does little good, for you or YLRL, to wish, after an appointment has been made, that you'd become Editor, or a Certificate Custodian, for instance, when in reality no one knew you were interested. I might add, too, that these jobs can be lots of fun.

If you have any pictures or news items, relating to YLRL members, do send them to Irma, K6KCI, for the YLRL Scrapbooks. These books are fascinating, and are of much interest, and the source of many chuckles at conventions where they are on display. Let's fatten them up this year in preparation for the 1968 YLRL Convention at Denver.

Remember the Dues Deadline! A payment of your \$3.00 dues by March first will not only enable you to get on the YLH mailing lists and maintain your continuous membership, but will save us the time and expense of a delinquent notice. It may well save me from replying to an emphatic, "Why wasn't my name in the Directory. I paid my dues!".....How often this has been heard in past years. And a check of the membership lists invariably shows that the unhappy member paid her dues long after the March first due date, and sometimes as late as July or August! This is after the Directory has been completed! Simply getting your dues in on time will alleviate these problems, and will save a heap of correspondence.

If you have suggestions to make, or constructive criticism and/or alternate workable possibilities relating to present procedures, or general questions, do not hesitate to write to me, or to any of the officers.

So here's to 1967.....Remember, an organization can only be as good as its membership so be a member! Pay your dues on time. Help us to help you. Every dime that doesn't have to be expended unnecessarily can be channeled to constructive projects.

By 33, Edie McCracken, K1EKO,  
President, YLRL, 1967

## SILENT KEY

WA6KLP-WA7CTZ, Darlene Johnson passed away in Ogden, Utah on December 14. Darlene was a member of YLRL since 1962 and also a member of YL Radio Club of Los Angeles. She was Recording Secy. of the Los Angeles Club until she moved to Utah and became WA7CTZ. Darlene was active on YL Open House and Tangle Net as well as 2 meters locally, and her f.b. signal will be missed by all of us who knew her. Our deepest sympathy to her OM, Larry, and the other members of her family.

## ATTENTION!

K2YMJ, DORIS PALMER lost her rig and all of her possessions when her home was completely demolished by fire. Fortunately no one was injured but she did lose all of her QSLs, log books, etc., and now has no record of any contacts made during her several years of hamming.

After working diligently for YLCC she had acquired 97 YL QSL cards so would you gals who have worked Doris please send her another QSL? She worked a number of gals in Howdy Days and YLAP this fall so please check your logs for her call. She will appreciate your QSLs. Her address remains the same---- Crane Road, Glenwood, N.Y. 14069 and thanks a meg!

## ♦♦♦HOW ABOUT THIS?♦♦♦

With the beating our QSL cards take going through the mail, it has become a custom with many to send them enclosed in an envelope. This is appreciated-especially when they are of the photographic type. However, when this is done, we should not forget to address the card as though it were to be sent without a covering-because this is the only way to show where the station was located at the time of the contact. For most awards the contacts must be made from the same QTH or a very short distance therefrom. So all cards should be complete and not make it necessary to keep the envelopes on hand. OK?

33, Maxine, WA6AOE-YLRL Secy.

## YLCC REPORT

January 1st, 1967

The following have been issued since November 1, 1966.

## CERTIFICATES

WA2WHE - Greta Longware

## STICKERS

K4RNS - Marge Campbell  
DL8RA - Heinz Buerger (2)  
DL3LS - Ursula Buerger (2)  
K2UXW - Trudy Forbes  
VE3EZI - Ivy Smythe

TWENTYSIXTH YL ANNIVERSARY PARTY RESULTS

COMBINED SCORES

CW SCORES

KIUR	6,714*	K7RAM	6,669*	KIQFD	440*	KIUR	1,134*
WB20QU	1,594*	WAS8ENW	3,885	K2CEP	1,188	WB20QU	244*
W4HOM	7,384*	K81TF	6,555*	WB2YI	770	W3UTR	9
W4ZDK	3,226	K8PXX	4,999	W4HOM	1,156*	W4ZDK	315*
K4RHU/4	3,489*	W9MIR	6,237	K4RHU/4	775*	W9GHO/4	1,250*
K5LUZ	4,802*	WAOEXX	6,528	K5LUZ	853*	W2WBVA/5	743*
W2WBVA/5	5,193*	VEIAQI	3,446	W6A0E	682	WB6CGA	563*
W6A0E	5,272	VE3BI	12,248*	K6DLL	88*	K6QPG	1,181*
WB6CGA	7,091	VE3EZ	12,235*	W7NOB	330	K7RAM	309*
K6DLL	6,748*	VE7ADR	3,064*	W8ERQ	1,450*	W8ENW	609

PHONE SCORES

K8PX

W1FOJ	3,915	W9FRS	3,600*	K8PXX	816	W9HLW	891*
W1UR	825*	W9MIR	5,733	W9MIR	504	W9MLE	1,378*
KIUR	5,580*	K9QGR	4,305*	W6MIR	504	W6LLE	1,378*
W2GPT	4,738	K0EPE	6,820	W0EXX	1,120	VEIAQI	1,189
WB20QU	1,350*	K0EVG	3,690	VE3BI	2,593*	VE3EZ	2,015*
W2WL	3,015*	W0EXX	5,408	VE7ADR	1,125*	OH2YL	60
W3ATQ	3,949*	W0FSK	3,461*	SP6AZY	50*	U3KBO	35*
K3HZY	2,755*	W0KER	3,772				
W3MDJ	4,464	K0ZPX	2,914*				
K3NVF	1,550	KL7FJW	220*				
W4EHN	3,198	KL7FQ	263*				
W4HOM	6,228*	KP4CL	2,920				
W4KY	4,343	KZ5TT	1,400*				
K4RNS	9,180*	VEIAQI	2,257				
W4ZDK	2,911	VE3BI	9,655*				
K4RHU/4	2,714*	VE3EZ	10,220*				
K5B7M	3,284*	VE7ADR	1,939*				
W51FL	5,119*	VE7WN	3,344				
K5JFJ	163*	DJ2YL	2,900*				
K5LUZ	3,949*	DL3LS	384				
W5NQG	1,820*	OH5SM	45				
K5OP1	5,763	PY2SO	1,664				
W2WBVA/5	4,450*	ZS6GH	1,980*				
W6A0E	4,590	WB6CGA	6,528				
K6DLL	6,660*	K6KCI	8,869*				
K6TQO	3,956	W6UBU	1,268*				
W7DNJ	560*	W7GCV	3,003				
K7KSF	5,341	K7MRX	6,630				
W7NJS	3,690	K7RAM	6,360*				
W7RAX	2,040*	W7RVM	6,480*				
W8ARJ	6,698*	W8ENW	3,276				
K81TF	5,625*	K8PXX	4,183				
K8RZI	6,003*	K8TVX	3,800*				

CUP AWARDS

TOP PHONE SCORE VE3EZ 10,220\*

TOP CW SCORE

VE3BI 2,593\*

NORTH D X YL AWARD

( de W4HLF )

VE3BI 12,248

CORCORAN AWARD

VE3BI 12,248\*

TOP THREE PHONE SCORES

VE3EZ 10,220\*

VE3BI 9,655\*

K4RNS 9,180\*\*

TOP THREE CW SCORES

VE3BI 2,593\*

VE3EZ 2,015\*

W8ERQ 1,450\*

\* - LOW POWER MULTIPLIER

CONFIRMATION LOGS:

KIUR	6,714*	K7RAM	6,669*
WB20QU	1,594*	WAS8ENW	3,885
W4HOM	7,384*	K81TF	6,555*
W4ZDK	3,226	K8PXX	4,999
K4RHU/4	3,489*	W9MIR	6,237
K5LUZ	4,802*	WAOEXX	6,528
W2WBVA/5	5,193*	VEIAQI	3,446
W6A0E	5,272	VE3BI	12,248*
WB6CGA	7,091	VE3EZ	12,235*
K6DLL	6,748*	VE7ADR	3,064*



# CONTINUOUS MEMBERSHIP REPORT

RUTH B. SIEGELMAN, W2OWL CUSTODIAN  
CONTINUOUS MEMBERSHIP CERTIFICATE  
2336 HOLLAND AVENUE BRONX N.Y. 10467

The following CMCs have been or will be issued during December and January:

## 1st DISTRICT

K1ADY 10  
W0KEH/1 15  
W1VOS 15

## 2nd DISTRICT

W2EUL 15  
W2IGA 15  
W2MVV 15  
W2OWL 25  
WB2PYI 15  
WA2QGX 5  
W3UKE/2 10  
K2YEA 5

## 3rd DISTRICT

W3BIW 10  
W3NNS 20

## 4th DISTRICT

K4CZP 10  
W4LKM 20  
K4MNM 10  
W4TDK 15

## 5th DISTRICT

W5DCB 15  
K5MXO 15  
W5RZJ 20

## 6th DISTRICT

K6OQD 10  
K6QPG 10  
K6SYR 5

## 7th DISTRICT

K7KSF 5  
W7LCS 20  
W7QKU 15  
W7RVM 10  
K7VBI 20

## 8th DISTRICT

W8ATB 20  
W8SPU 15

## 9th DISTRICT

K9EMP 10  
K9EMS 10  
W9SJR 15

## 10th DISTRICT

K0GZO 10  
K0UOK 5

## DX

DJ1TE 10  
G8LY 10  
JA1AEQ 10  
VK3YL 10  
ZE1JE 10  
ZL4GR 10  
ZS6GH 10  
9J2LB 10

# AFFILIATED CLUBS

Almost like a Christmas present came word from Esther, W6BDE, that the BAYLARC has now qualified for affiliation with YLRL, and it is a pleasure to welcome them. These gals in the San Francisco Bay area have benefitted from the recent Constitution and By-law amendment which allows a club which accepts non-licensed YLs to membership to count only their licensed members when computing their 50% YLRL membership for affiliation. BAYLARC has a total membership of 41-the licensed members number 34. Their non-licensed members (mostly XYLS of active OM hams have been enthusiastic workers for the club, and are instrumental in keeping things going in a social way.

Complete information will be forthcoming later edition-but for now let's just say they are working like beavers on the up-coming West Coast YL Funfest to be held on March 31 and April 1 and 2 at El Rancho Motel in Millbrae, Calif. These gals really know how to put on a party, and many of us are looking forward to making the trek up there. It has been several years since our last YL get-together, and we've missed them, so there should be a good turnout. How about a delegation or two from nearby states?

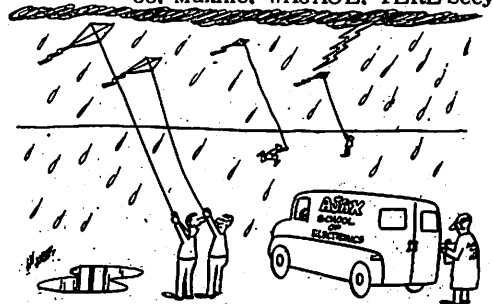
## PORTLAND ROSES

Please take note of a change in the hostesses for the Portland area. As Beth, W7NJS, will be spending several months in Hawaii, she will not be available. So Bettie Mayer, K7BED, will take over as hostess in Beth's place. Her address is 6115 S.E. 13 Ave. Portland, Oregon 97202. Phone 232-7363.

**START THE NEW YEAR RIGHT!** Don't forget to start early to urge your members to take care of their YLRL dues for 1967. If your club year starts near the same time, March 1, it would be simple to collect for both memberships at one time and send in as a group.

To all the YL clubs we wish a very happy and busy New Year. Let's hear from all those affiliated in 1966 for renewal. And how about the others who have not been affiliated? Can't you make it this year? Hope so!

33, Maxine, WA6AOE, YLRL Secy.



"This school is very thorough in its training, wouldn't you say?"

**REMEMBER YOUR DUES .....**

## HAVE YOU MET....? OUR NEW MEMBERS

BY: Phyllis Shanks, K7KSF

WA2WBA/5, Martha who is a Mobile Communications Engineer. She holds an Amateur Extra License and a First Class Phone License. Along with all her other activities, she fixes CB sets and makes Mississippi available on 20 meters phone although she prefers CW! Her former calls were WA4PDS and DL4IQ.

WN3FTR, Esther, whose OM is W3HI. She has been working 15 and 40 CW plus 2M, AM and FM, but is probably a general by now, so we'll hear her on the other bands.

WN8TTL, Marilyn, xyl of WA8NAS. She received her novice license in October, 1966. She is active in Girl Scouts and works part-time in the family floral business.

WA0EOG, Marjorie, who formerly had the novice call of KN0BON and is now a technician. She is an R.N. and is active on 6 meters.

K1BCO, Elizabeth, who is a nurse and a biologist. She got her license in 1957 and prefers 40 and 10 meters.

WA2WHE, Gretna, who works 80, 40 and 20 CW. She has 4 harmonics and is a Girl Scout leader.

WB6RFE, Lucy, xyl of WB6NWX in the Santa Clara Valley Section. She joined the MINOWS while she was vacationing in the Northwest this summer.

WA7FGT, Marna, who was formerly WN7CCO. Her OM is W7MYD and they have four harmonics.

K7THG, Evelyn, xyl of K7THF. She is Sec.-Treas. of the NW Noontime Net and her OM is manager of the Columbia Basin Net.

K7TWQ, Jessie, who is part of a terrific ham family. Her OM is ex-KN7TWP and her son is K7TWS. Jessie is active with the MINOWS and Idaho RACES on 75 meters and sometimes works 20 meters, too.

WA8HFU; Lillian, xyl of WA8HFH. This pair spend part of the winter in Florida where their calls are WB4EEC and WB4EEB, respectively. You'll find them on 75 and 20 meters.

WA8RXZ, Gladys, who was formerly WN8JOP. She has a married son and daughter. 4 grandchildren and one great-grandchild. Gladys got her first call only three years ago.

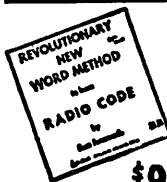
WA0KER, Rose, whose OM is WA0INC. She is active with RAVES, NE Iowa ARC, AREC, Tangle Net and YL Open House. She usually works 75 and 20 meters.

'Until next issue, 33, Phyllis a.

## ARE YOU MOVING?

**FOUR WEEKS IS REQUIRED  
to change your magazine address.**

## LEARN RADIO CODE



**\$9.95**

Album contains three 12" LP's 2 1/2 hr. instruction

## THE EASY WAY!

- No Books To Read
  - No Visual Gimmicks To Distract You
  - Just Listen And Learn
- Based on modern psychological techniques—This course will take you beyond 13 w.p.m. in **LESS THAN HALF THE TIME!**
- Also available on magnetic tape. See your dealer now!

## EPSILON [S] RECORDS

206 East Front Street, Florence, Colorado

**A sure sign of old age is  
when you feel your corns  
more than your oats.**

### NEW NOVICE

by - Marie, WN0PVR

I sit and gaze at that restless sea.  
If I cast my line, will it come back to me?

I wait and listen, then try a call.  
I wonder at first, What's the use of it all?

Little by little, I learn to hear  
What before, perhaps had been meant for my ear.

I case my line, and try again.  
Oh, what will I do? What do I say to them?

I case my line. Ahh! There's a nibble.  
They're answering me, my heart's atremble!

What's your name, your QTH, your RST?  
It's all so wonderful! They're talking to me!

My hand falters, I shiver and shake.  
At last, I'm able to communicate.

F.B., T.N.X., 73's and the rest of the line  
I'll come to know with the passing of time.

Time will pass and new knowledge gained.  
New thrills will be born from these goals aimed.

But I wonder if they'll ever exceed that time.  
When I first cast that invisible line?

(THANKS to Louise, WA6BBO for forwarding this poem. Ed.)

## VE-LAND NEWS

Jeanine Burgess, VE3BI

Box 191 Alliston, Ontario, Canada

Although, at the time of writing we are still awaiting Santa's visit, by the time you read this, the Holiday Season will be over. I hope it has been a happy one for each of you, and may 1967 bring much joy and contentment to you and yours.

This is a very special year for us Canadians as we celebrate our Centennial-100 years since Confederation. I hope all VE YL's will keep in touch with me and keep me informed of the exciting things your community or your local radio clubs are doing to celebrate our country's birthday. One of the most exciting plans is a proposed Cross-Country YL Club. Will you support such a plan? If so, let us hear from you.

Many thanks to Eva, VE7BBB for her efforts as 1966 D/C. It must have seemed like such a thankless job when YLH were not being received in Canada. So, although through no fault of Eva's we didn't get to see her column we still want to say a big "thank you" for a task well done. The YLRL executive assures me they will do and are doing everything possible to prevent this from happening again-with a new mailing service, I'm sure you have already noticed that YLH is getting to its VE destinations.

Now to the news!

Saturday, December 3rd! There will be a few YL's who won't forget that day in 1966! For me, it all began with a surprise visit from Thelma, WA8ENW who travelled 250 miles through a snow storm to help me celebrate my birthday. In spite of knowing I was on a diet, she also brought, a scrumptious calorie filled birthday cake! That evening Gord and I had dinner with Ivy and Cliff, VE3EZI and VE3EZC, you guessed it-another birthday cake!! After dinner we headed for a TOT executive meeting.

While Ken and Doreen, VE3FPP and VE3FUR were headed for the meeting, they stopped to do a favor for Doree, VE3EUV. While parked at the back door of Doree's apartment building, an irate woman driver began screaming hysterically at them that they were not tenants and were illegally parked; no amount of quiet apology could calm her and soon her husband came running out of the apartment and ended up throwing Ken to the ground! Later that evening, in the middle of the executive meeting, at the home of Cliff and Betty, VE3AST and VE3ASS, in walked a police officer to confer with Ken about the altercation. Still later, en route to Oshawa, Ken and Doreen's car broke down and they finally reached home at 3:30 A.M. Via a Tow Truck! It certainly wasn't their day!!

The executive meeting was very successful and very enjoyable. Cliff showed us pictures

of the TOT picnic, and of the amateur radio exhibit of VE3WE/3 at the Canadian National Exhibition, and Betty served a delicious buffet supper.

Unfortunately, that is not all that happened that evening. Unknown to us at the time, while we were enjoying the meeting, one of our executive members, Thelma, VE3CLT, was in a head-on collision and rushed to the hospital. In spite of Thelma's misfortune, there was one bright spot during her stay in the hospital. A near-by ham happened to QSO Bubbles, VE4ST and she had heard of Thelma's accident and that she was in the hospital, so the 2 gals met each other via phone patch and then Bubbles patched her into her relatives!

Bubbles has accepted the task of publicity for the Trilliums. A little birdie has told us that a special all Canadian column will appear in QST's YL News and Views next summer, courtesy of Louise, WB6BBO. If Bubbles approaches you for assistance in preparing material or gathering facts, do give her your full support!

Jean, VE3DGG is at it again-she has a new class of young amateurs-to-be pounding out the dits and dahs at the Canadian National Institute for the Blind and at the same time is assisting the fellows who have recently received their tickets to find suitable equipment. If any of you know of suitable equipment for sale or gathering dust somewhere, contact Jean. The boys hope to form a club and are saving towards the purchase of a club station. Until their executive is chosen, monies for this purpose are being held in trust for them by the Trilliums and any donations may be sent to VE3BBO Doris.

Ivy, VE3EZI won Howdy Days this year-the first time she ever entered a YL contest! By the time this goes to press, the YLAP results should be published and I'm sure all Canadian YL's will be proud of Ivy's showing! If this is what a first attempt results in, watch out next year!!

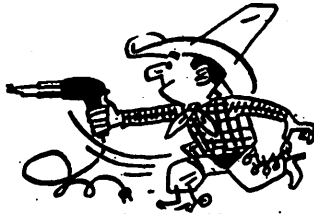
Another Top Canadian YL in the Ham limelight is Gwen, VE3AYL who took 9th place in the recent RTTY DX Contest. Her score of 57,176 points was possibly the highest Canadian score ever attained in this contest and definitely the best showing ever by an XYL!!

Dot, VE3DXZ and her OM Jack, VE3DTO have been on a trip out west. Heard that they visited my good friend Dave, KH6BIH so know they hit the Kona coast: Dot, how about a full account so the gang can read about it next issue?

Marg, VE7BNU is enjoying her new home. With a view of the lake, a nice fireplace and an acre of land-who wouldn't! Marg has been keeping busy making pajamas and mitts for her 3 grandchildren but still has time for hamming.

The Sparkettes, (Maritime YL's) held an informal general meeting in September and VE1AQI, Mildred was elected President. The girls meet Thursday on 75 meters phone.

## VE land cont.



VE1AKO, Chris is back on AM for the winter months as John has headed back out to sea in the Bluenose II with the SSB gear!

Ann, VE1TK, we hear got her ticket the easy way - she married her radio instructor!! Just joking, Ann, but how about some recent news.

VE1YX and VE1AML, Jeannie and Eileen are keeping quite active on six meters.

A wonderful letter from Nell, G2YL, who has to be the "travellingest" member of Trilliums yet! This letter was from Shangai, where Nell was touring with a small group. Wish there was space to tell you all - a flight over the North Pole, Japan, Hong-Kong, a trip to the Portuguese Colony of Macau by Hydro-foil, an active volcano, shooting the rapids and then ending up in the midst of China's "Cultural Revolution"!

Audrey, VE1AKR writes, "My two older boys were away at University and then they were away working all summer and it seemed to keep me busy just writing to them. The summer seemed to go by very quickly. We have a 19 foot Travel Trailer with all the comforts of home and we were away at every opportunity." Audrey and her family plan to go by trailer to Expo '67, this summer and may possibly take in the ARRL Hamfest as well. Audrey is Secretary of the Moncton ARC, which is hosting the 1967 Centennial Maritime Hamfest.

A Nova Scotia newspaper gave very good coverage on Mildred, VE1AQI and the wonderful job she did for the officers and crew of the Helicopter-Destroyer H.M.C.S. Margaree during their recent Mediterranean Cruise. Mildred's OM, Petty Officer Ivan is radio communicator aboard the Margaree and between them, messages and phone patches were constantly winging their way between the crew and their wives and families. When the Margaree arrived in port, Mildred was presented with a painting of the ship signed by all members of the crew and 10 bottles of French Perfume.

Welcome to our newest YLRL member- Donez, VE6ATH has just recently moved from British Columbia.

Well, gals, that about concludes this column - please keep the news coming. I deeply appreciate the confidence you have shown in me by electing me as your D/C. I will try to deserve that confidence, but remember the news must come from you.

Don't forget the TOT net Saturday on 14.140 MHz (approximate) at 1700 GMT. Meet your fellow Canadian YL's. Let's get to know one another better in 1967.

33, Jan, VE3EH.

## FIRST DISTRICT NEWS

Ruth Barber, K11IF  
19 Bidwell Parkway  
Bloomfield, Conn. 06002

We begin the first column with DL3LS, who's been WRONR'S adoptee almost 10 years. Ursula kept a sked with WRONE members on 15 meters, Dec. 14th to personally greet them as a part of the celebration of WRONE'S 10th anniversary. With only a short time to get the word around, girls from all but 2 of the New England States had a solid QSO with her, K1PCZ, Barbara worked her in spite of no 15 meter antenna-but tried a dipole which worked. W1ZJS, Dee was sure she'd never make it, for her beam was stuck SOUTHeast, but band conditions were superior Ursula said it made Christmas come early for her, to be able to work so many WRONE girls and meet so many new ones.

A note from Onie, W1ZEN says she's been teaching most every day, so her time at the rig has been shortened.

Joyce, K1OLM had an operation, but is getting back to the rig again soon.

Jean, K1LJV, formerly of Springfield, has moved to Cote St. in Monson, Mass. She had W1GAG and W1YPH visiting from Maine over Christmas.

That's all for now. Let us hear from you. Happy New Year to all. 33, Ruth, K11IF.

## SECOND DISTRICT NEWS

Janice Fontana, WB2JCE  
R.D. 1 Van Etten, N.Y. 14889

Hi Gals! First of all a resounding thanks to Camille WB2PYI, for the outstanding job she did as your 1966 D/C! Sure hope I'll be able to do half as well.

The Hudson Amateur Radio Council (HARC) convention was held on October 15th and 16th at the Hilton Inn, Tarrytown, N.Y. The NYC-YLRL, with Ruth Schlitt (associate member) as Chairman of the Ladies' Activities, arranged for a YL Hospitality Room where free coffee and doughnuts were served to YLs, XYLs of hams attending and OMs. This was greatly appreciated and many compliments were received from all. Ruth, W2OWL, as President of the NYC-YLRL, was Chairman of the YL Forum. The guest speaker was Helen, W3OLY, who gave a most interesting talk. Also, Bea, WA2GPT gave a resume of services performed by hams. A lively discussion followed with comments from the YLs attending. Prizes were also awarded. Helen, W3OLY, was presented with a charm of the girl on the globe (originally designed by Vi, W2JZX, for the cover of YLH) from the NYC-YLRL.



Many beautiful prizes were also awarded to the ladies who attended the banquet on Saturday night. The NYC-YLRL evidently did more than their share to make the HARC convention the success it turned out to be and are certainly to be commended!

In November the NYC-YLRL met at the home of Vi, W2JZX, for a luncheon (heard it was delicious!) and were treated to slides of the HARC convention shown by Ruth Schlitt and her OM, Cy W2BBV. Also on hand were Ruth, W2OWL; Amy, W2EUL; Madeline, W2EEO; Catherine, W2RAQ; Sallie, W2UXM; Dot, K2DPN; Sue, WA2HLQ; Helen Zupam, Jeanne Grabschield, Mae Gallop and, as very special guests, Christine, WB2YBA and Haruko Ozaki, JA1DGL, with her young son, Nori. Sounds like a most successful meeting indeed with the present officers all re-elected to another term.

K2BBW, Fran will be back on SSB during the winter, while there is a lull in the fur business. She and her OM, W2QAI, enjoyed meeting new and old friends at the HARC Convention.

K2CEP, Fran will sked on 20 c.w. for anyone needing Ocean County for WANJ. She still needs Alaska, Hawaii, Utah and Wyoming for WAS. Fran is a rarity in YL circles---- she holds an Extra Class ticket and we are mighty proud of her!!

WB2DQK, Rene has moved from New Brunswick to 47 Pierson Road, Silverton, Toms River, N.J. 08753. At present she has only a dipole for 75 meters but expects to get a tri-bander soon. Being the only ham in the family has it's disadvantages, for Rene spent a whole day putting in a ground post. Not bad for a Grandmother!

WA2GAB, Berdie is burning up the air waves on 15 SSB with her new rig and beam constructed by her OM, K2SLD. She would like to hear from any of the gals who happen to catch her on that band.

WB2HTA, Adele helped her OM Bill, WA2ZQK, build a new 600 watt homebrew rig and now they are really in business with the addition of 8 elements over 8 elements telerelex antennas which help tremendously. Says she; "A lot of noise but no complaints!"

WB2IFK, Lynn is keeping her fingers crossed that "Grandma" will mind her children so that she can tag along on her OM's trip to Switzerland in January. Just the right time for skiing on the fabulous slopes that most of us only HEAR about!

W2IGA, Ruth and her OM vacationed in Puerto Rico during the fall.

K2INQ, Peg is still taking courses at Temple U. in addition to her Supervising duties at the hospital and occasionally finds time to work a little 20 meter c.w.

K2JBX, Peg is sporting a new linear amplifier and a signal to match the extra boost a KW produces. She must have been good this year because Santa also brought a beam to go with the increased signal strength and with this set-up, Peg will be operating DX even-

ings and weekends instead of grading math papers.

W2JZX, Vi and her OM attended the annual dinners of both the QCWA and the Communications club of New Rochelle. Vi did a lovely job, as usual, on the scroll presented to Kayla, W0HJL, as outgoing Pres. of YLRL.

WB2NCG, Betty has recently moved to 27 Park Place, Bloomfield, N.J. 07003 and has already joined the C.D. there. She and her OM, Bob WB2NCE, are Directors on the Board of the Newark News Radio Club and were recently honored by the NNRC as recipients of their "Members of the Month" citation. They visited ARRL Headquarters in November and enjoyed operating "de W1AW".

WA2NQU, Helene doesn't find too much time available for operating these days. However, she is trying to squeeze extra hours in the day for such things as building a transmitter and other additional equipment.

W2OWL, Ruth is back on 20 SSB, thanks to the kindness of W2EEO's OM, Art W2CYK, who repaired her linear. It goes without saying that Art knows his business because Ruth has since worked two new countries, Dahomey Republic and Tristan DaCunha, bringing her DX score to 172 countries worked with 166 confirmed.

W2PVS, Betty is keeping skeds on 80 c.w. with WB2JCE, Jan. She regrets that her duties as an elementary school teacher leave her too little free time for hamming.

WB2PYI, Camille was a hospital patient but is at home now and doing nicely. We all wish you good health, Camille.

W2RUF, Clara was saddened by the death of her brother, ex-W8AOM/ex-W2OXI, in Florida. As SEC she has been traveling extensively, addressing clubs on AREC.

WA2UAB, Mabel has resigned as Chairman of the Ladies of 2-Land net after almost two as NCS. Everyone enjoyed her pleasant voice and easy manner so hope that she will continue to join the gals each Tuesday morning. WA2PNW, Wilma, was unanimously elected the new Chairman and is doing very well.

WA2WHE, Gretna, whom we welcome as a new member, received a new receiver from her NON-HAM OM for Christmas and is now haunting the DX bands. She has joined CHC and, lacking only a few QSLs, is combing the bands for YLs to complete YLCC. Gretna is primarily a c.w. operator (and a most proficient one, too!) but will drift up to the phone bands occasionally for a QSO.

W2YCX, Carlie is teaching code and theory to a small class where she works but has still found time for some activity on 10 meter phone with DX into XE, PJ, G and ZS.

K2YMJ, Doris is gradually becoming adjusted to life in a trailer since the loss of her home by fire. We were all sorry to hear of this tragedy and especially heartbreaking was the loss of all her radio equipment, including logs and QSLs. She had accumulated 97 QSLs toward YLCC and asks that all the gals who have worked her, please send her a duplicate

QSL at the same address listed in the Call Book and the Directory issue of YLH. At present they are living in a trailer court but hope to have the trailer moved on their own lot by early spring.

WB2YYR, Georgis was delighted when Santa visited her early leaving a gorgeous new carpet in the living room and a roomy new station wagon in the garage!

Many thanks to all of you who took the time during the busy holidays to write me your news. Also, hope this will remind you gals who didn't write that I would really like to hear from you so jeep the news coming and 2-land will be well represented next issue. Until next time...

33, Jan

## THIRD DISTRICT NEWS

Elinor Wendland, K3TNL

East Shore Drive, RD 1

Lake Ariel, Pa. 18436

A very Happy New Year to all you wonderful gals from 3-land. Sincere thanks to Liz, W3CDQ, who did a magnificent job as 3rd D/C in 1966 - only hope I can do as well. This is my first column and I'm nervous! One thing for sure, I'm no Ann Landers. Bless all the gals who sent in news for this edition, please keep it up. Well, here goes!

The WAYLARC's held their annual Christmas Party at the Flagship Restaurant in Washington. Some of those who attended were: Liz, W3CDQ; Sandy, K3SQX and OM Bill; Helen, W3OLY and OM Si, W3MKS; Meg, W3UTR; Betty, W3UXU and OM Whit, W3UFV; Irene, W3RXJ and OM Frosty, W3PTS and lots of gals from 4-land. Gifts were exchanged and a fine time was had by all. They all got a glimpse of the club's DXYL. Christa and her daughter, who was dressed in the cute dress sent to her by the club members. The January meeting will be held at the QTH of Betty, W3SLS.

The Penn-Jersey YL Radio Club held their annual Christmas party at the Casa Conti Restaurant in Philadelphia, Dec. 10th. Gifts were exchanged and a wonderful time was had by all. Those present were: Peg, K3TMJ; Carolyn, W3GTC; Jane, K3ZDN; Irene, WA3DNQ; Floss, W3SRS; Dottie, K3YPH Harriet, WA3ATQ; Frances, W3SBE; Mary, K3BCI; Edie, W3AAU; Mollie, K3FYS; Sylvia, W3SLF; Shirley, W3BNN; Susy, WA3EHN and Bert, W3TNP.

Hear Sandy K3SQK served some delicious date and nut bread at her recent Waylarc meeting. Would love to have the recipe, Sandy, if its made with "no cal" ingredients.

Shirley WA3AZU had tough luck in 1966. Shirl broke her foot, had to go to the hospital to have 3 pins inserted. Latest news, the pins were removed at the Doctors office, no hospital trip for that. Sure hope Shirl, by this time your ready to join some track team.

Helen W3OLY and her OM were baby sitters for their grandson David who was 1 yr. old in Nov. Aren't they cute at that age, Helen?

Meg W3UTR made some contacts in the YL/AP on 75-40 meters. Hope your score was a goodie, Meg. Meg was glad to be home for the Christmas Holidays.

Betty W3SLS did not work the contest. Betty was busy with the kiddies who were so happy to have their daddy home from Tangier, plus other company.

Irene W3RXJ is still working with Girl Scouts acting as a Cadet Troop Consultant although daughter Barbara Jean is no longer in the Scouting Program.

Brooke WA3EER is teaching U.S. History to a class of Honor Students at Woodrow Wilson High in D.C. Her trip to Europe this past summer was a 1st anniversary present from the OM, Mark, K3KXR. Lucky gal, wonder where one finds an OM like that?

Liz W3CDQ did not work the contest in 1966. What happened Liz, sure hope you didn't injure that beautiful fist.

Carolyn W3GTC, President of the PJYL Club, reports 2 new members - Susy WA3EHN and Ellen WA3EKW - making a total of 22 members. Isn't that wonderful! Carolyn's been active on 10 meters yaking with old friends.

Jane K3ZDN is keeping a weekly sked with Switzerland, also added a 7 month old German Shepard, Gretchen to keep Fritz, Shepard #1 and Chico, a Mexican parrot, company. What no parakeets, Jane?

Shirley W3VNN got a new antenna. Been busy chasing DX at home and gets a big charge out of talking to people in places she visited while in Europe. Shirley and OM, W3HTF completed a VFO which they sent to a ham friend, Dr. Girish Shah in India. The good Dr. visited Shirl and OM during his trip to this country.

Ev K3SDG, ex-W4VCB, has been an SWL on 20 meters listening to all that beautiful DX and has no antenna to get out. Gee whiz, Ev, that's a tough break. Hope your recent visit with Marion W3FTP was enjoyable.

Edie W3AAU finally got back on the air after having antenna trouble. She sure puts out a F.B. signal on 75. Let's hear from you more often, Edie.

Sylvia W3SLF and OM W3QX'1 recently celebrated their 25th wedding anniversary with a cruise to Nassau. By reading the "Blinker Signals" Sylvia was the 1st one aboard (besides officers) to know that a passenger was left behind. It pays to know your CW, gals.

Mollie K3FYS received and award at the Chapel of 4 Chaplains for public service in amateur radio. Nice going, Mollie, it couldn't happen to a nicer person.

Ethel K3LLH is a very busy gal with church work. Has been a Sunday School teacher since 1942. On a recent visit to Alice, K8MQB, Ethel discovered that Alice's neighbor and she are 2nd cousins. Until that

day she never knew them or the fact that they were kin. How about that? Incidentally, Zeta, WA3FWI, was the first YL Ethel worked on CW.

Hazel K3RGT has a Navy MARS call of NØYDT and gets on 4015khz every AM at 7:00. What an early hour, Hazel, - gee, I can't get my eyes open till 10:00.

Gisele K3WAJ does a real F.B. job as N.C.S. of the Eastern Pa. Emergency Fone and Traffic Net on Saturday Nights. What a nice person that gal is.

Grace K3OXU had a wonderful trip to Ireland this past summer meeting all her relatives, also had a reunion with son Bill Jr., who is stationed with the U.S.A.F. in England. What interesting tales she had to tell when she got home.

Marie W3MDJ after a couple years absence from the air did some operating during the YL/AP giving out contacts from Delaware. Bless her! Marie also contacted a Utah YL after trying for many years.

Martha, K3FRQ is the only YL in the local radio club, acting as Sec.-Treas., also the only ham in the family. She has to repair her own rig when it goes on 'he "blink" but she loves doing it. Hope all your antennas stay up during the ice-storms this year Martha, so you don't have to go climbing any pole.

Claire, WA3DQG, is now WA1GXS, Chestnut Hill, Mass. We shall miss Claire in 3-land.

Harriet, WA3ATQ/WA3BLZ and her OM Harry, K3YJK/WA3ALU had a special invitation to attend the docking festivities of the SS Hope in New York in appreciation for the many phone patches she ran for the ship's crew. Harriet's well known on the higher frequencies, passing traffic, running patches for GITMO and maritime mobiles. She also appeared on TV in Philadelphia from her own QTH demonstrating amateur radio. She is very active on the Eye Bank Net. Keep your peepers on this gal-she'll go far in amateur radio.

Susy, WA3EHN and her OM, W3INW expect a little one the end of March. Hope it's twins or triplets, Susy!!

Anyone interested in startin a 3rd District Net, please contact Hazel, K3RGT, who is most anxious to get one going. How about it, gals?

To Amy, WA3CAP, we wish to extend our sincere sympathy on the loss of her OM, Bill who passed away on Dec. 20.

There you have it. All the news I could beg, borrow and steal. I will not be around to send in the next column but if you gals would be so sweet and send the news to me at this QTH, my daughter Pat can handle the next issue for me. The OM Bill and I purchased a 17 foot travel trailer and will start for Florida the beginning of Feb. We expect to be back early in April. Will be thinking of all you gals freezing while we are basking in the sun! First night out we expect to atop at the QTH

of Maxine WA4UWK, Falls Church Va. seeing Marge, K4RNS, Bertha, WA4EMC, Vi Mayree, K4ICA. Keep the news coming in. 33, Elinor.

## FOURTH DISTRICT NEWS

Dorothea Seaver, W4QBY

254 Oceanic Ave.

Lauderdale by the Sea, Fla. 33308

The air is filled with Christmas music, and oh, the fragrance of fresh baked mince pie and cookies wafting in from the kitchen. The O.M. here (not a ham) cast a fishing line right over my beam and then hauled up a big star of white lights with colored lights cascading down from it....a striking decoration but from now 'till Twelfth-night I'm beamed north and no changing it. I hear through the grape vine that there were some shiny car keys hanging on the tree Christmas morning. Lucky gals... drive that new car carefully and may you have a great deal of pleasure with it.

SPARCYLS (St. Petersburg Amateur Radio Club YLs) have one major activity every year, a Christmas party, the first Sunday in December, for all licensed YLs in the area. This year it was held at the QTH of Lee, W4WXS, Dec. 4th. The gals gathered at 2 P.M. and immediately started swapping stories and renewing old friendships and of course, goodies were passed. Everyone forgot about diets and thoroughly enjoyed the delicious cake and cookies before the party broke up and all reluctantly went their way. In looking forward to next year, they hope that even more of you will join them. Those attending were: W4TDK, Naomi; K4WXS, Lee; WA4EDL, Nancy; W4BIL, Fran; K4RCQ, Elsie; W4GPX, Ruth; W4WPD, Shirley; W4BAV, Cathy; WA4KYA, Vivian; W4HRC, Little Bo and Marie Henry (Mascot).

K4CVR, Bessie is "back in the fold" with a new rig. Was last heard in April, as she took a trip to Wisconsin during the summer.

K4EAC, Hilda, best wishes from all of us for many years of happiness to you and Jim, K4LYS in your forthcoming marriage.

W4EHN, Betty reports she has joined the Eye Bank. Also K4RHL, Ellie advises she and OM Jake have joined. Congratulations, it is a fine cause. Betty is an avid DXer and was recently very pleased to receive two cards from northern Scotland.

WA4FJF, Ellen President of the Floridas, was recently very pleased to receive two cards from northern Scotland.

WA4FJF, Ellen, President of the Floridas is expecting her OM to return home shortly from a tour of duty in the Mediterranean.

W4GXP, Ruth (ex-W8UWY) moved from Conn. last March, purchased a duplex in Dunedin and is active on 6 meters. Ruth says she is a senior citizen and has been interested in radio since 1949.

## FIFTH DISTRICT NEWS

Doris Anderson, K5BNQ

509 East Elgin Street

Broken Arrow, Okla. 74012

K4HSC, Meg checks in to the Floridora net each Tuesday morning and keeps us posted on the progress being made in settling her new home in Sebring and particularly the garden which is responding to her loving care.

K4RCQ, Elsie and OM, Herschel's son, Jan, graduated from Gainesville with a Mechanical Engineering degree in December, and the day after Christmas reported for work at Cape Kennedy. Nice work, Jan, and congratulations to the proud parents.

K4RED, Lucy, a former Floridora president, sent greetings to all the Floridoras and regrets she cannot write or keep in touch by radio due to her health problem. She called a couple girls when she was home but was returning to the hospital. I am sure she would appreciate cards or notes from you.

K4RHL, Ellie and OM Jake along with W4QBY, Dorothea had a grand inspection tour up, down, over, around and all through the submarine 'Sea Cat' while it was docked at Port Everglades. WA3BQU, Al, the radio operator aboard telephoned Jake and extended the invitation to us. Sure glad I'd had some practice going up and down my tower so the little, straight narrow ladders of the sub were not quite so awesome. Ellie and OM recently joined about 90 'Gold Coasters' (hams from around Florida's east coast) at a luncheon in Deerfield and they asked her to tell about her activities and experiences when she was operating on the 'Hurricane Net' this past season. There was plenty to tell as she was on the air for ten days straight during the visit 'Hurricane Inez' paid this part of the world.

K4RNS, Marge now has a complete set of souvenir envelopes from son Mike, who is on the USS "Wasp" and has taken part in all the splash down recoveries of the astronauts. There is a collection to be proud of.

WA4TDD, Jerry, sent best wishes to all the girls and her regrets that she could not attend the SPARCYLs Christmas party due to the fact they were going to Ft. Myers to see their new grandson.

W4TDK, Naomi was reelected as Sec.-Treas. of the St. Petersburg Amateur Radio Club.

W2WUW/4, Margaret back from a trip to Hawaii, has put her N.Y. home up for sale and has returned to Ft. Myers, where she hopes to locate permanently.

K4ZXS, Georgia has been elected President of the Central Florida Groundwave Club. She fixed dinner for 70 of them. Besides all that she has been appointed Coordinator Communication Manager for N.E. Florida Navy MARS. How busy can you get? 33, Dorothea, W4QBY

Happy New Year to one and all! First off, on behalf of all the 5th District gals, I'd like to express thanks to Ruth, K5OPT, for the fine coverage she gave us during 1966. Next, I wish to ask for your support and assistance during my tenure of office in 1967. If you know some good newsworthy gossip (short of embarrassing things, of course) about any of our 5th District members, please write them to me. Mainly, I mean the type of thing that modesty prevents one telling about oneself.

Fourteen members of the Texas YL Round-up Net got together on November 11 and 12 at Camp Dakone Lodge near Oklahoma City for the 12th birthday of the net. The lodge is quite a luxurious installation, serving the Campfire Girls of the Oklahoma City area, a most appropriate setting for the party. Bertha, W5JCY, was party chairman and had done an excellent job indeed. Everything was quite informal - even the luncheon on Saturday which was catered by Glen's Hickory Inn of Okla. City. Although attendance was small, a wonderful time was had by all. Those contributing to the festivities were: K5CRH, K5BNH, W5RYX, W5ERH, W5GXG, W5KEW, W0AYL, K5TEY, K5YFC, K5IHF, K5KUZ, W5JCY and K5BNQ. All are looking forward to next year's party to be held in Fort Worth. See YOU there?

I hope you all had a very Merry Christmas. Ours was saddened considerably because, for the first time, one of our chicks was absent from the flock. Sharon and husband David are on Guam with the Navy. Of course, we had a brand new little chick to counterbalance the sadness. Our granddaughter Cheryl is one of the prettiest little bundles of pure happiness anyone could ask for!

Let me hear from you 5-land gals. I had hoped to do much more operating this year and thereby glean a lot of news, but now I don't know! We are getting right into the big middle of a pretty big renovation project which involves the kitchen, ham shack, living room and one bedroom. If I can find an operating spot in the midst of this state of confusion, I'll see you on the air. 33, Doris, K5BNQ.

### SPECIAL FOR YLRL MEMBERS

Half sheet stationary with your -  
picture, name and call printed in  
black ink.

5½" x 8½" \$2.59 for 100 sheets

8½" x 11" 2.99 for 100 sheets

VALLEY LETTER SHOP

P.O. Box 223 Alamosa, Colo. 81101

**Send in your favorite small projects  
we will redraw them an insert them  
somewhere. Hope you like the phone  
patch in this issue.**

## SEVENTH DISTRICT NEWS

Gwen Jackman, W7NOB  
Rtl 1, Box 251A  
LaGrande, Oregon 97850

Greetings to all from 7-land, and orchids to Edith, K7PEE whose interesting columns in 1966 are a real challenge to the new D/C.

News of Arizona gals wasn't received in time for this issue, but they were active in YLAP, and have heard some may be found on the "Working Girls Net" which meets Thursdays at 9 P.M. on 3.820 kHz with Vada, W6CEE as net control. We hope for communication with them by air or mail for the next issue.

Utah has Jane, WA7COR, ex-W7IDM, operating on 20 meters, with her OM, WA7COQ, active on all bands.

Nevada's Mae, K7QGO and OM, K7AQA have been taking home their share of wins from the Chihuahua dog shows.

In Wyoming, Beth, K7YGV reports her OM, K7YGW is in Southeast Asia and they have enjoyed a phone patch via Irma, K6KCI, and are hoping for skeds via MARS frequencies. Beth is on 7.210-7.200 kHz weekday mornings, and YL Oper. House on 20 meters.

Another Wyoming gal, Lois, W7COJ enjoyed a mobile trip to South Dakota with her OM W7COK, who recently returned from Southeast Asia.

From Montana, Bertha, K7CHA and OM, W7RZY are looking forward to getting on the air when antennas are up after moving into their own home with its wonderful location for hamming - more room for antennas, basement for ham shack, no overhead power lines or heavy traffic to interfere. There will be room for flowers and garden, too.

Idaho's Betty, W7GUQ has a unique way of getting to work at a ski lodge - on skis - her only means of transportation. She was one of the lucky gals to bag her deer in a recent hunt.

Fran, K7MRX is the new Vice-President of the Eyewinks Chapter CHC #3373.

Helen, W7GVV met her "twin" WA7GVV on the air recently, a former resident of her town, but whom she had never met. Helen planned to spend Christmas in Seattle with her daughter.

Verda, K7UBC and her OM, K7PVV have been interviewed for a newspaper feature of their interesting hobbies.

Joan, WA7BDD, is still challenging the MINOWS and other YL operators for fun visits on CW, weekdays except Friday, 3.880 kHz at 1700 GMT.

Glad to hear that Clarence, OM of Jessie, K7TWQ is doing fine at the hospital where he was admitted to be checked for a pacemaker for his heart. Jessie sprained her wrist at the hospital, so we hope it is healed soon so she can get back to her fine CW operation.

There were wedding bells for another couple who found romance via amateur radio when

Lorrie, WA7EMN became the bride of Bob, W6LQD. They will make their home in 5-land.

Washington gals are on the front page, with three of them featured in recent news write-ups in their respective towns: Gerry, K7YDO and Bea, K7ZUV for their unlimited services in traffic handling and phone patches for servicemen in Vietnam and elsewhere, via Navy MARS; and Phyllis, K7KSF, in addition to services representative of hams, for her interest in the Eye Bank Net, with a possible eye bank to be established in the Tri-cities. With an interest in Esperanto, Phyllis and OM, K7KSE hosted Mr. and Mrs. Conn Murray, Esperantists, recently returned from a 14 month world-circling tour, and who shared experiences at a public meeting. A new class for training new teachers in Esperanto is planned to start in January.

Esther, W7LXR hopes to be on the air on CW after the holidays, having been busy with sewing, painting woodwork and getting son, Don off to a Peace Corps conference at Houston, Texas, in anticipation of a year in India.

Home for holidays was Ken, son of Bobbie, K7RAM and OM K7RAO. They will be enjoying a new TV-stereo entertainment center when they aren't busy handling lots of traffic.

Phyllis, K7CPB should be heard again after replacing tubes in her rig.

Gladys, K7MFS and her OM, W7HCJ are anticipating skeds to talk to their son who is in the service in Japan.

After having 8 granddaughters, Marie, K7WVQ has her first grandson.

Gerry, KL7ALZ is back in the states after the recent retirement of her OM KL7MZ, and should be getting a 7 - call once more.

Our sincere sympathy to Mary Ann, W7FWR whose son W7EKW has passed away - and to Toddy, W7LCS and her OM W7IYV, whose mother also recently passed away.

We have heard of several gals who have moved and are looking forward to getting rigs back on the air: Ginger, W7WMS; Cece, K7VFC; Edith, W7LIZ; Corinne, W7DIF and Etta, K7GQZ, who is looking forward to moving the rig from the basement to the kitchen.

News of Oregon gals reflects many interests and activities. Members of the Portland Roses entertained Maxine, WA6AOE and her OM during their Portland visit.

Bettie, K7BED keeps busy in her greenhouse - and "together" with Phyllis, W7ZKY, campaigned in opposite political camps!

Beverly, W7HPT was hostess for the Portland Roses Christmas Party.

Dorthie, W7REV enjoys oil painting - doing beautiful work.

Helen, W7RVM has a ball working DX on 10, 15 and 20 meters with over 230 countries worked and almost 200 confirmed - and even got on a 75 meter YL net after several years absence.

K7ADI, says "good morning" to MINOWS on Friday before dashing off to work at Port-



land Radio. Her OM is getting along fine, but taking it easy, after an illness.

Glad to hear Sandra, W7DAT is recovering from surgery.

Dot, W7GLK hopes to return to Ashland by summer, after spending the winter in Florida with her two sisters.

Bessie, W7DIC cut trees and greenery on her own property to mail to her sons for the holidays.

Marie, W7JRB and her OM W7INM, after returning from Montana for holidays, plan to operate a motel.

By the time this issue of YLH is received, Beth, W7NJS hopes many of the gals will have talked to her during the February-March vacation she will be spending with her OM, W7PPG in Hawaii. Her call will be KH6GDS, and she hopes to check into the YL Open House and Tangle Nets.

The MINOWS enjoy talking on net with their "sister" member Lucie, WB6RFE when band conditions are good.

Anyone who may plan to be in Portland the first week in June will be interested to note that the 1967 OARA Convention will be the first weekend in June, with the Portland Roses in charge of licensed YL and XYL activities.

Many of the gals in 7-land are making their contribution to C.D. and traffic nets. Hope to account for more of you in future issues of YLH. By the time I have served my year, I sincerely hope I will have met as many YLRL members as possible. My mail box is big enough to hold letters from all the gals in 7-land - so let's start getting news for the next issue.

33, Gwen, W7NOB.

## EIGHTH DISTRICT NEWS

Eddie Best, WA8KMT

Rt. #3

Malta, Ohio 43758

Here we are starting a new year and we do hope everyone had a nice Holiday Season and has a healthful, prosperous New Year. The ham bands were so crowded over the Holiday Season it sounded like one big YLAP only mostly male voices.

A vote of thanks to last year's D/C from 8-land, WA8ARJ, Bobby, who did a wonderful job and I hope I can follow in her footsteps.

WA8NXD, Micky and her OM, WA8ECQ, Jack spent Christmas in Rochester, N.Y. with their daughter and her family and then off to beautiful Mexico for a 6 week to 2 month vacation. They regretted having to leave their rig behind due to no reciprocal licensing.

K8VCB, Betty must have been a real good gal this past year because Santa left a new transmitter, to match her receiver, under their tree! Betty says it is just like starting DX-ing all over again and they are making many new friends, especially in the African and European areas. Betty has received her DXCC award after working on it for two years and is now hunting for a YL from Asia for WAC/YL and needs 3 areas to complete her WAS/YL.

K8RZI, Fran loves winter but this year she is counting the days until spring arrives so they can enjoy that new camping trailer.

Net Check-ins have been light and we know partly due to so many in the area having sickness in their families.

We would like to express our sympathy to, K8MZT, Shirley, who lost her father, K8PXX, Toni, whose mother passed away and to WA8GPO, Shirley and K8IFT, Marge, who both lost their mothers-in-law.

WA8ATB, Esther and her OM are enjoying all that beautiful sunshine in Florida this winter and we just know they think of us often - every time they hear a newscast about a new blizzard!

Well, gals, we shall be watching the mail box around the middle of February for all the letters we hope are coming this way for the next edition and please make me your Pal for a Day and send in news. It only takes a few minutes of your time and a little 5¢ stamp to make this gal a very happy correspondent and we must all stick together if we care to advance, so do write!

33, Edie, WA8KMT.



"It's a sort of a fire sale -  
If I don't make a sale... I'm fired."



WOLF CREEK PASS

## NINTH DISTRICT NEWS

Mildred Bovee, K9ZLB

R.R. 3, Box 66

Plymouth, Indiana 46563

The LARKS, their OMs and guests celebrated the Klubs 15th Anniversary at Frank Bonds Supper Club in Berwyn on January 21st. We know it had to be an outstanding affair because Bernice, W9SJR was party chairman.

Congratulations to a deserving gal, YO, WA9CCP, for receiving the special award, "Illinois' Amateur of the Year". She now is the class of her friend, Roberta, K9IVG, who last year was awarded the coveted honor "Indiana's outstanding Amateur". These gals both are dedicated and efficient members of the National Traffic System and exemplify our motto "Amateur Radio Exists Because of the Service it Renders."

June, K9TGG, Editor of Pinfeathers, enjoyed the holidays in sunny California.

Millie, WA9ABG, is the only female in a class of 40 in Electronics at South East Evening College. Show them what a determined YL can do, Millie.

Diane, K9TRP/M was happy to join the TYLRUN net while vacationing in the Ozarks. She also had a long QSO with Ruth, WA9IYG while enroute to Eureka. Congrats, Ruth, on DXCC.

Adeline, W9LKD, had her first taste of a "Foreign" country when their family went to Quebec on vacation, but she reports it was "old hat" to her OM who has been flitting all over the world this year as part of his work. Jack, W9ASG, during the past year, has been to South America, Europe, South Africa and Japan - covering over 70,000 miles.

Verna, K9LUI and her OM Bill, K9KYF have returned from their 25th Anniversary tour of the world. They visit d many of their DX friends and found the Welcome Mat waiting in all foreign ports. The first stop in their flight was Hawaii, where they visited Ardella, KH6TI. They visited ham friends on Wake Island. In Japan they were entertained in true oriental fashion in the home of Rebecca, JAIYL and her OM Kan, JAICO. There they also met Taja, JAICFN and JAICFD. In the Hong Kong area, they visited Luk, VS6AS and operated his station calling friends back home. They spent a day with John, OR9AH in Macao. They visited in India, Egypt, Greece, Switzerland and Germany where they were entertained by Ursula, DL3LS and her OM DL3RA. What an enjoyable experience.

Isabell, K6CAL/9 and her OM, Paul, K6QWZ/9, who is serving a tour of duty at Great Lakes Naval Training Center, have been stationed there for the past 14 months. Paul will be retiring in another year and they both are looking forward to going back to their home in sunny California. Their rig has not

been on the air because Paul is studying for a First Class Commercial License. Isabell has missed her 6-land YL friends and activities, and she would very much like to meet some of the YLs in the Chicago - Waukegan area before they go back to California. Her address is 1914 Chippewa Road, Waukegan, Illinois 60085.

I was very happy to receive the first news from a Wisconsin YL. My Thanks to June, K9TNC. June tells me that her operating is limited, although the OM Vince, K9KKU is very active. She has agreed to a schedule so I am looking forward to a QSO as she sounds like a very interesting gal. June's day is full, caring for 4 active sons, ages 16 thru 24. She is anticipating the wedding of their oldest son, Patrick, in May. Since she was raised with only brothers, she has always felt the minority so naturally she is anxious for that first daughter-in-law. June says that by the summer of 1968 the sons will be educated and pretty much on their own, and at that time she hopes to become more active on the air and will devote more time to YLRL.

Irene, WA9EZP was featured in January CQ in "Story of the Month." Since that article was written, Irene has acquired over 200 awards. She is Vice President of YLCHC Ch. # 4 and Indiana State Ch. # 34. Her greatest interest is in helping the novice.

Lydia, WA9KVP, performs a most unusual amateur radio service. Each work-day morning beginning at 5:30, all South Bend area mobiles on 6 FM listen for Lydia's cheerful motherly voice, greeting them with a happy "Good Morning", giving cautious driving warnings, sage advice or relaying personal messages from one mobile friend to another. This continues until 9 a.m. when each driver has safely arrived at his plant or office.

We hope to see many of you at the 16th Annual Mid-West YL Convention which will be hosted by the Hoosier Amateur Women's Club, on May 19, 20 and 21 at Holiday Inn, LaFayette, Indiana.

Pre-registration fee of \$2.00 should be sent to Mary Alice Koctur, K9BWJ, 3116 Backmeyer Rd. Richmond, Indiana 47374. After April 1 the fee will be \$2.50. Room reservations sent directly to Holiday Inn, U.S. 52 Bypass, LaFayette, Indiana. Mention HAWK-Mid West YL Convention for reservations in separate wing. All activities will take place in the Inn.

All those arriving on Friday the 19th, are invited to be dinner guests of the HAWKS at 7:00 EST, which will be followed with an informal Eye-Lash Party in the Hospitality Room. Saturday breakfast will be on your own. Pre-reservations for Saturday Luncheon will be \$3.00 until April 1st. Luncheon is \$3.50 after April 1st. Pre-reservations for Saturday Banquet is \$6.00, mailed to K9BWJ, until April 1st. Banquet after April 1, is \$6.50. An outstanding program and prizes will highlight each affair. YLs are encouraged to bring swaps if you like. HAWKS club station K9BZU will be in operation. **PAGE 15**

The Indianapolis 500 Trial Runs will be on the same week-end as Mid-West YL. Any OMs wishing more information on the Trial Runs may contact Betty, W9LYU, convention chairman. Out-of-State Pre-registrations are already in from Illinois, Ohio, Michigan, and Canada. If the VE-land gals can make it, how about YQ!!! Let us all plan on a wonderful weekend of fun and fellowship in Indiana. The Hawks are really working to make this a memorable affair.

Just a reminder that March 1st. is the date to renew your YLRL Membership. Send \$3.00 to Toni Chapman, K8PXX. We need each and everyone of you as continuing members. Also we need your support in encouraging other YLs to join our League so that they might share our mutual interests in amateur adior. If you will send me the name and call of any prospective members I will mail them the new YLRL Information sheet and membership application blank with your name on as sponsor. Your YL club (local) also has a supply of these new forms. We hope that all of you will help strengthen the membership in District 9. I am very grateful to those of you who took the time to write to me. Keep the news coming, please. 33, Mildred.

## TENTH DISTRICT NEWS

Cleo Bracket, KØJFO  
1820 East Third  
Fremont, Nebraska 68025

Greetings to all and hope everyone is off to a very successful New Year. We wish to express our thanks to WØUMO, Alyce, our D/C for 1966-good reporting Alyce, and how we wish we had helped you more during the past year. Please, don't let me down. Alyce reports that they have bought some timber in Ozarks and spend their time hunting, hiking and relaxing. She better get an antenna up and operate from the hide-a-way.

KØHEU, Thelma and her OM will be quite busy in Feb., March, April and May making the rounds of Gun and Antique shows where they have their exhibit and participate in their other hobby. Thelma, reports that it is quite discouraging to try and work SSB contacts when on AM in the AP. Glad to hear that she still has the contest spirit.

WØJUV, Emma and OM, George, WØNSB, were in Houston in November for a visit to the Doctor. Everything is going real fine but Emma had to miss the AP because of the trip.

KØGZO, Ginny and OM, Kirk, KØGZN, are leaving the states in mid-January for a return trip to Bonaire. Hope we are all able to make contact with them from the vacation spot. They expect to make about 2500 contacts again.

The Colorado YLs publish a bulletin called LOOSE CHANGE and from their calender of

events they are really a group of go-getters. No doubt that Convention in 1968 will really be the one not to miss.

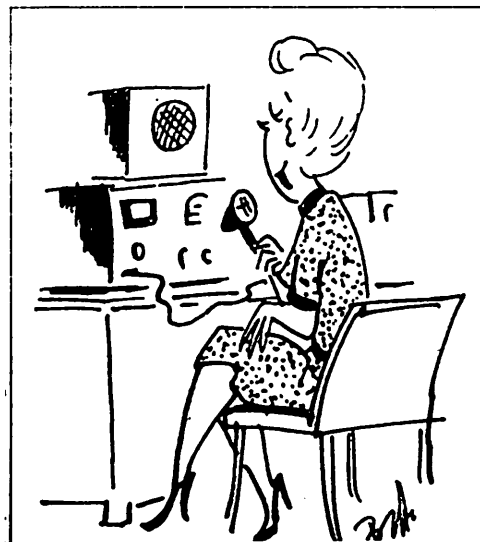
The Kansas YLs meet on Tuesday mornings at 1530 GMT on 3940 kHz. This JAY HAWKER NET has been operating for about 6 years. The regulars are KØHEU, WØJUV, and WØUA. If you enjoy a leisurely, casual rag chew, this is the group to join. There are from 10 to 42 years of operating experience represented with these three YL's, which we feel is a great record.

KØJFO, Cleo, was also absent from the AP Party because the XMTR was out of commission. This was the first AP I had missed since joining the Ham forces. The last few months have been busy ones here in Nebr. with no time for hamming-we have different plans for the New Year. The family had a short vacation in Oklahoma during the holidays. The OM, Tom, KØJFN, and I both made the necessary contacts with Nebraska stations while mobiling across Kansas to qualify for the out of state Nebraska Centennial Certificate. It is a beautiful certificate and we urge all to try for the 15 contacts necessary. You will find Nebraska stations on the high frequencies and the County Hunters Nets on 75 meters in the evening hours.

This is all for now.....please, send all your news. Best to all in '67.

33, Cleo, KØJFO.

radio -  
USEFUL TOOL, ABSORBING HOBBY



COPIED THAT SOLID BILL OR MY HANDLE  
ISN'T SUE, 1816 ORANGE TERRACE,  
HAGERSVILLE, INDIANA, FOUR BLOCKS  
SOUTH OF THE COURT HOUSE TURN RIGHT...

# YLRL SUPPLIES

## YLRL STATIONERY

50—YLRL Letterhead (Letter size 8½ x 11)	
50—YLRL Matching Envelopes (No. 10 size)	
25—Blank sheets .....	Pstpd. \$2.50
50—YLRL Letterheads (Note size 6¼ x 7)	
50—YLRL Matching envelopes	
25—Blank sheets .....	Pstpd. \$1.75
25—YLRL Letterheads (Note size 6¼ x 7)	
25—YLRL Matching envelopes	
15—Blank sheets .....	Pstpd. \$1.00
50—YLRL Postcards (Not stamped) .....	Pstpd. \$ .75
25—YLRL Postcards (Not stamped) .....	Pstpd. \$ .50

## YLRL JEWELRY

PINS: Sterling silver for members .....	Pstpd. \$2.20
Gold (for National Officers, past and present) .....	Pstpd. \$2.75
CHARMS: Sterling silver with French grey finish .....	Pstpd. \$3.30
Sterling silver with Rhodium finish .....	Pstpd. \$4.40
Gold filled .....	Pstpd. \$5.50

## YLRL PRINTERS CUTS

YLRL Diamond insignia cuts (for QSLs, etc.) .....	Pstpd. \$1.50
Please send your order directly to YLRL Property Custodian .....	Total

**NOTE:** Prices on jewelry will increase in the near future.

Virginia Bush, KØGZO  
Harper, Kansas

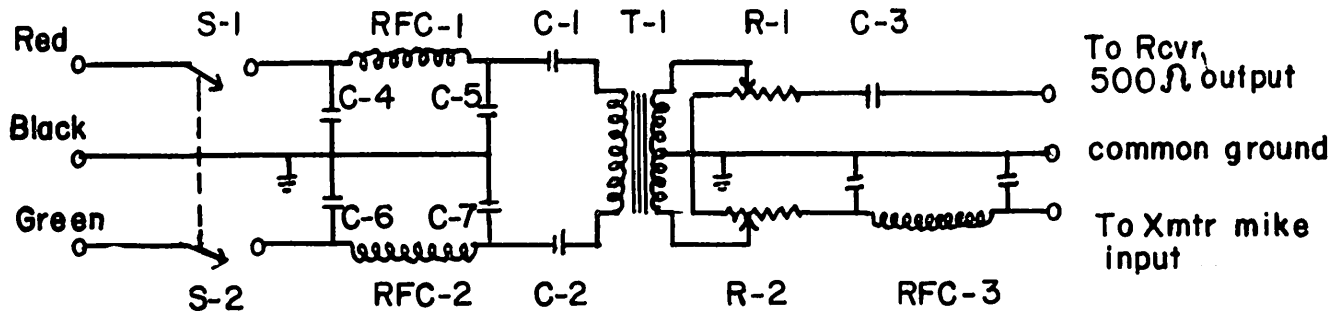
**FOR YL or OM**

CQ YL

The only book about the YLs.  
18 chapters, 500 photographs.  
Covers all phases of YL participation in Ham radio. Auto-graphed copy \$3.00 postpaid.  
Order from:

**LOUISA B. SANDO, W5RZJ**  
**4417 11th St. N.W. Albuquerque, N.M.**

# .... KØTTB phone patch....



## o PARTS o

- |            |                          |
|------------|--------------------------|
| S-1 & 2    | DPDT Switch              |
| C-1 & 2    | 2ufd 50v Paper           |
| C-3        | .25ufd Paper             |
| C-4 to C-9 | 100ufd Disc Ceramic      |
| R-1        | 5K Pot                   |
| R-2        | 1 Meg Pot                |
| RFC-1-2-3  | 2.5uh                    |
| T-1        | 600Ω Pri. 20,000Ω CT Sec |

This simple little Phone patch should make a nice week end project.....

About the only thing you may not have would be the transformer.. In the B A catalogue you will find a midget Xfmr BA part No. 18C647 for \$1.29 it is ideal for this and real tiny ..... Or a Thordorason T 22 S 90 will do.

The switch should be a telephone DP-DT with a good gap then the telephone may be left in the circuit at all ... times

Or of course you may wish to just .. plug it in and not use a switch.....

A SLEEPYHEAD PUBLICATION

GOOD LUCK HAVE FUN





# BURSTEIN-APPLEBEE

## SPECIALIZING IN AMATEUR RADIO EQUIPMENT-

Now . . .

# TWO LEADING HAM SHACKS TO SERVE THE NATION'S YL's

BA CARRIES THE MOST  
COMPLETE SELECTION OF  
AMATEUR RADIO EQUIPMENT,  
AND ACCESSORIES. WRITE  
US FOR THE BEST DEAL IN  
NEW OR USED EQUIPMENT

800 LINCOLN ST.  
Denver, Colorado 80203  
Phone 303-222-8986

301 E. 55th ST.  
Kansas City, Mo. 64113  
Phone 816-363-8700

## FREE GIANT NEW CATALOG



**BURSTEIN-APPLEBEE CO.**

Dept. CQ, 1012 McGee, Kansas City, Mo. 64104  
 Rush me FREE 1966 B-A Catalog.

Name \_\_\_\_\_

Address \_\_\_\_\_

City \_\_\_\_\_ State \_\_\_\_\_

Please be sure to show your Zip No. \_\_\_\_\_

SEND  
FOR IT  
TODAY

FREE

1967  
 Sun Mon Tue Wed Thu Fri Sat  
 1 2 3 4 5 6 7  
 8 9 10 11 12 13 14  
 15 16 17 18 19 20 21  
 22 23 24 25 26 27 28  
 29 30 31

# FEBRUARY 1967

1967  
 Sun Mon Tue Wed Thu Fri Sat  
 5 6 7 8 9 10 11  
 12 13 14 15 16 17 18  
 19 20 21 22 23 24 25  
 26 27 28 29 30 31

SUNDAY	MONDAY	TUESDAY	WEDNESDAY	THURSDAY	FRIDAY	SATURDAY
	Last Quar. 1st New Moon 9th	First Quar. 17th Full Moon 24th	1	2	3	4
5	6	7	8 <small>ASH WEDNESDAY</small>	9	10	11
12 <small>LINCOLN'S BIRTHDAY</small>	13	14 <small>ST. VALENTINE'S DAY</small>	15	16	17	18
19	20	21	22 <small>WASHINGTON'S BIRTHDAY</small>	23	24	25
26	27	28				

**HARMONICS MAGAZINE**  
**YOUNG LADIES' RADIO LEAGUE, INC.**  
 1398 Main St., Alamosa, Colorado 81101  
 RETURN REQUESTED

**BULK RATE**  
**U.S. POSTAGE**  
**PAID**  
 PERMIT NO. 86  
 ALAMOSA, COLO. 81101

K6HHD  
 JANICE O'BRIEN  
 6606 5TH ST  
 RIO LINDA CA 95673